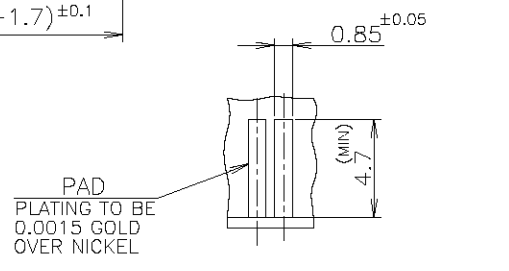
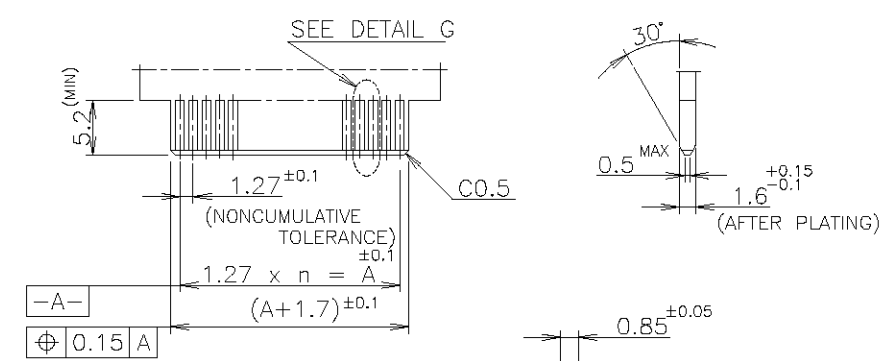
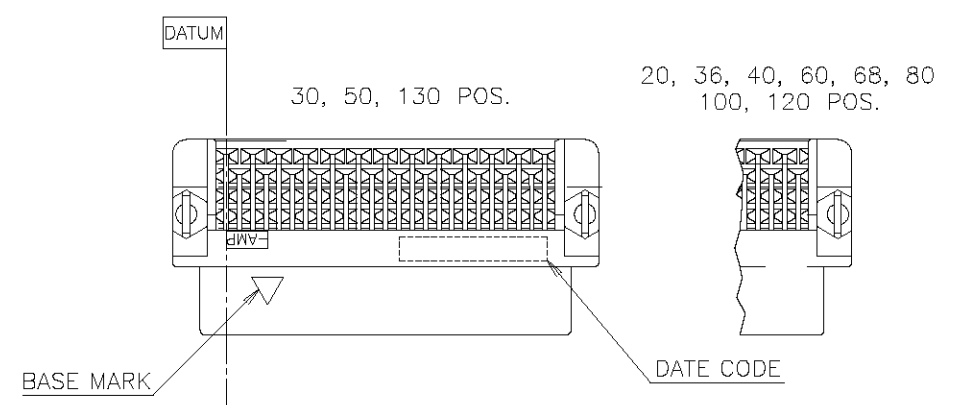
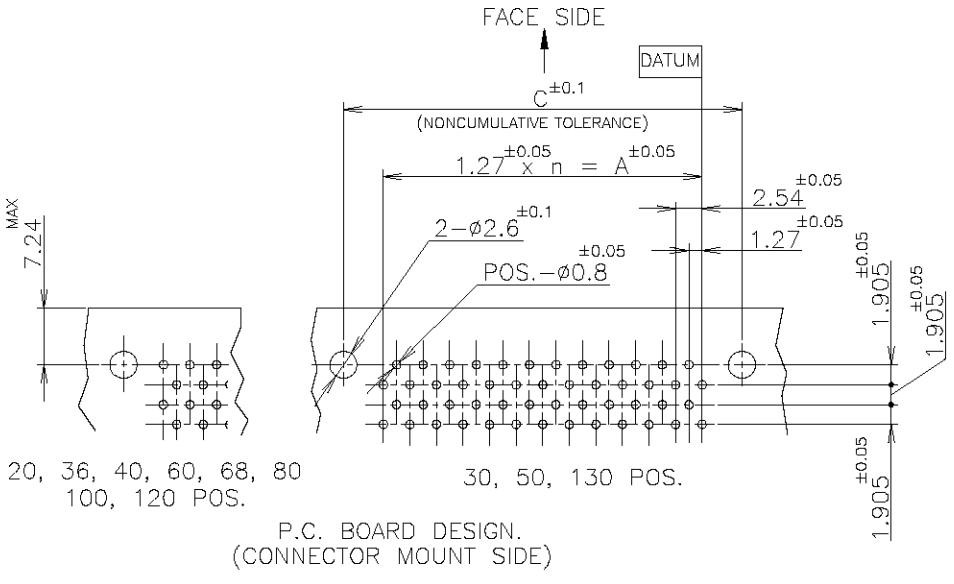
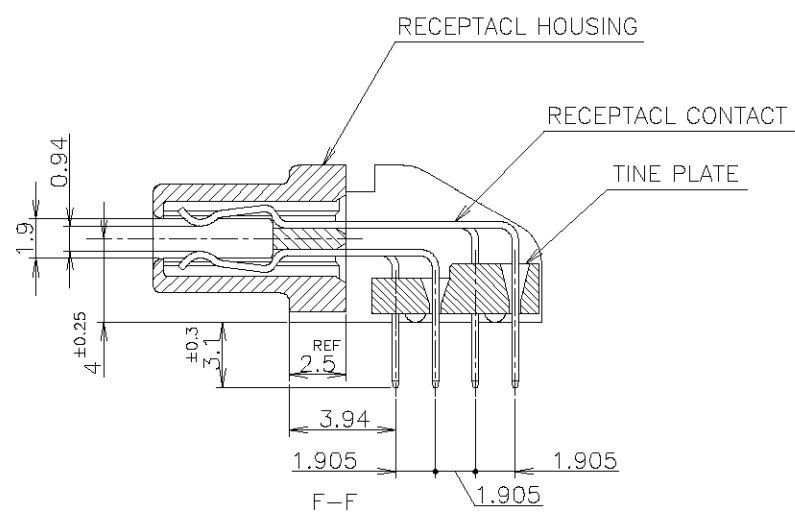
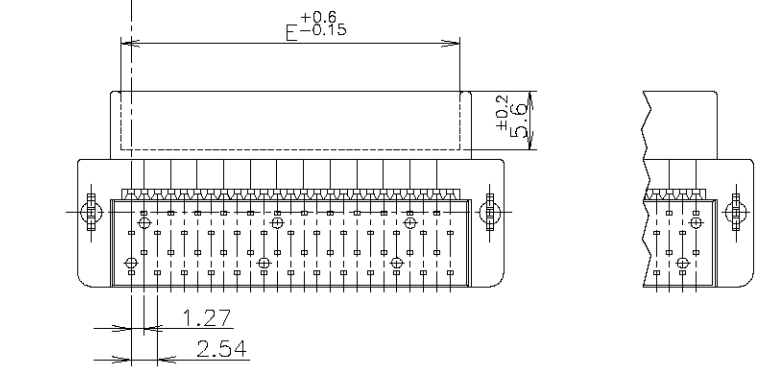
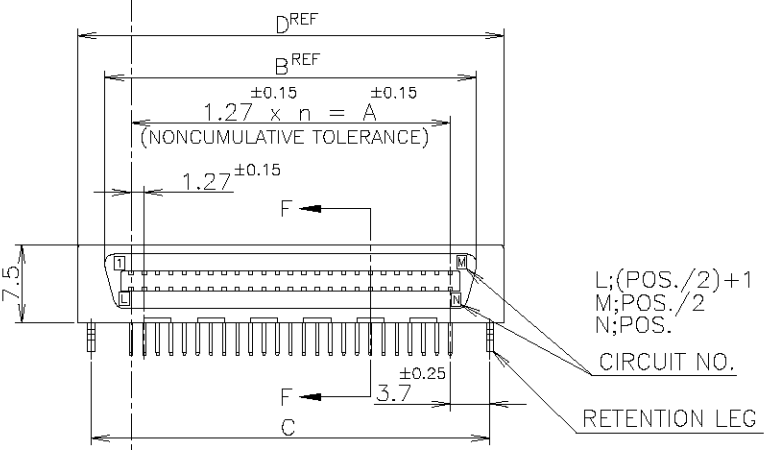
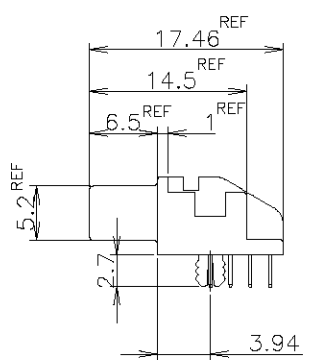


LOC		DIST		REVISIONS				
P	LTR	DESCRIPTION	DATE	DWN	APVD			
0		NEW RELEASE FJBO-0873-04	19AUG2004	J.Z	I.E			



RECOMMENDED P.C. BOARD DIMENSIONS.



LEAD FREE

- 1 NUMBER "n" IS COUNTED FROM DATUM (CIRCUIT NO.1 IS "AMP" MARK SIDE.)
- 2 MATERIAL: HOUSING, 66 NYLON (GF) UL 94V-0, BLACK. CONTACT, PHOSPHOR BRONZE. RETENTION LEG; BRASS.
- 3 FINISH: CONTACT; Au AT CONTACT AREA (SEE TABLE), TIN AT TINE, OVER Ni. RETENTION LEG; TIN UNDER Ni.
- 4 P.C. BOARD THK MUST BE 1.6±0.15 FOR CARD EDGE CONNECTOR

6-	-2	130	64	81.28	86.82	88.68	92.48	83.18	
6-	-1	120	59	74.93	80.47	82.33	86.13	76.83	
6-	-0	100	49	62.23	67.77	69.63	73.43	64.13	
5-	-9	80	39	49.53	55.07	56.93	60.73	51.43	
5-	-8	68	33	41.91	47.45	49.31	53.11	43.81	
5-	-7	60	29	36.83	42.37	44.23	48.03	38.73	
5-	-6	50	24	30.48	36.02	37.88	41.68	32.38	
5-	-5	40	19	24.13	29.67	31.53	35.33	26.03	
5-	-3	30	14	17.78	23.32	25.18	28.98	19.68	
5-	-1	0.00076	20	9	11.43	16.97	18.83	22.63	13.33
4-	-2	130	64	81.28	86.82	88.68	92.48	83.18	
4-	-1	120	59	74.93	80.47	82.33	86.13	76.83	
4-	-0	100	49	62.23	67.77	69.63	73.43	64.13	
3-	-9	80	39	49.53	55.07	56.93	60.73	51.43	
3-	-8	68	33	41.91	47.45	49.31	53.11	43.81	
3-	-7	60	29	36.83	42.37	44.23	48.03	38.73	
3-	-6	50	24	30.48	36.02	37.88	41.68	32.38	
3-	-5	40	19	24.13	29.67	31.53	35.33	26.03	
3-	-3	30	14	17.78	23.32	25.18	28.98	19.68	
3-	-1	0.0005	20	9	11.43	16.97	18.83	22.63	13.33
1-	-2	130	64	81.28	86.82	88.68	92.48	83.18	
1-	-1	120	59	74.93	80.47	82.33	86.13	76.83	
1-	-0	100	49	62.23	67.77	69.63	73.43	64.13	
	-9	80	39	49.53	55.07	56.93	60.73	51.43	
	-8	68	33	41.91	47.45	49.31	53.11	43.81	
	-7	60	29	36.83	42.37	44.23	48.03	38.73	
	-6	50	24	30.48	36.02	37.88	41.68	32.38	
	-5	40	19	24.13	29.67	31.53	35.33	26.03	
	-4	36	17	21.59	27.13	28.99	32.79	23.49	
	-3	30	14	17.78	23.32	25.18	28.98	19.68	
5175474-1	0.0002	20	9	11.43	16.97	18.83	22.63	13.33	

THIS DRAWING IS A CONTROLLED DOCUMENT.

DIMENSIONS: MM

TOLERANCES UNLESS OTHERWISE SPECIFIED:

0 PLC ±
 1 PLC ±
 2 PLC ±
 3 PLC ±
 4 PLC ±
 ANGLES ±
 FINISH

MATERIAL

GENERAL TOLERANCE

10 ≥ : ±0.2
 30 ≥ > 10: ±0.25
 100 ≥ > 30: ±0.3
 ANGLES: ±3°

DWN: S. ISHIKAWA 13OCT88
 CHK: Steven Yao 19AUG2004
 APVD: Julyee Zhu 19AUG2004
 PRODUCT SPEC: 108-60038
 APPLICATION SPEC

tyco Electronics Tyco Electronics AMP K.K. Kawasaki, Japan

AMP CHAMP .050 CONNECTOR (B-T-B) RECEPTACLE CONECTOR (HORIZONTAL WITH RETENTION LEG)

SIZE: A2 CAGE CODE: 00779 DRAWING NO: 5175474 RESTRICTED TO

WEIGHT

CUSTOMER DRAWING SCALE: NTS SHEET: 1 OF 1 REV: 0